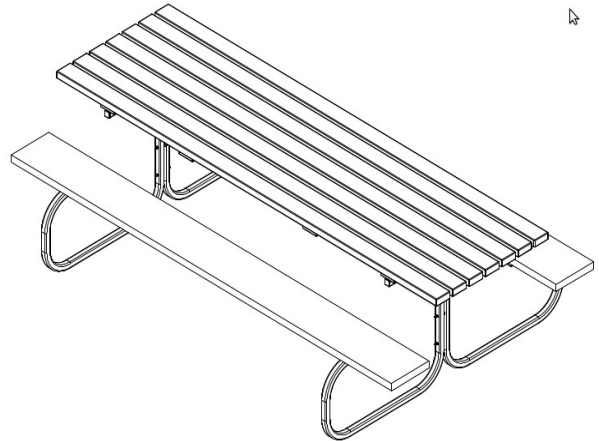




8630 Lory Rd.
 Black Creek, BC, V9J 1B8
 Fred ph/txt: 250 898 7317

Product Info Sheet



Steel Bent Leg Picnic Table Kit

A robust design, manufactured with similar specs for over 15 years. These picnic tables have proven to be a long lasting practical product for backyard, campground or any other exterior, break or picnic area.

Easy to assemble your own picnic table. A great project for everyone ages 13 and up.

Design Advantages:

- Durable steel legs
- Access bench without stepping over bench support
- Moves easily with ski-like legs
- Solid durable design
- Each bench can support over 1000lbs

Built to last with care, by people for people who recognize the advantages and value of long term dependable design and quality manufacturing.

Best Value: Pre-order yours now!
 Pre-order deadline:

PRICING		
Retail	Pre-order	Wholesale
\$285.00	190.00	inquire

----- cut here

Intent to Purchase Form

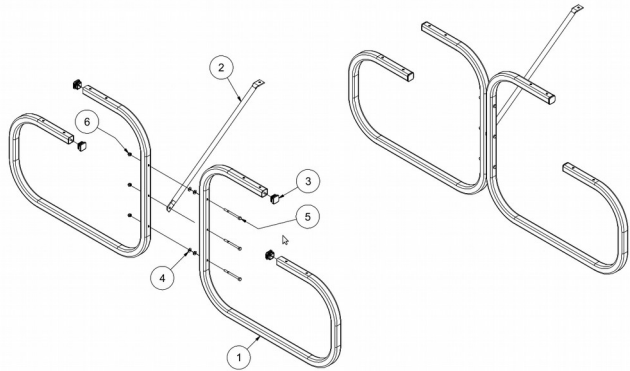
Terms:

- 1) Customer agrees to pay \$20_____down to reserve _____ Picnic Table Kit(s),
- 2) Supplier Agrees to manufacture and deliver
 - a) no later than:
- 3) NET due on delivery, customer agrees to pay the total product price of:
 - a) no more than \$_____.__ + applicable taxes + shipping

See reverse.

Kit Contents:

- Four Bent Legs: 0.100 X 1.25 X 1.25" square tubing
- Two Braces: 0.067 X .75" round tubing
- Hardware: electroplated zinc
- Packaging: cardboard 32" X 30" X 3"
- Durable Corrosion Protection
- Shipping weight: 50 lbs Additional Material



Materials not included and required for 8' table (or 6' Table):

- Seven 2X4's X 8' long (or 6' long)
- Four (or Three) 1X4's X 26" long
- Two 2X10's X 8' long (or 6' long)
- Fifty-four #8 X 2" wood screws
- Exterior Paint or Stain

Annual Promotion and Manufacturing in Summer each year. **ORDER YOURS TODAY!**

Pre-ordering leverages the advantage of economies of scale, lower prices, higher quality, reduces manufacturer risks, waste, stocking fees, and just might help the planet.

RESERVE YOURS NOW! - Pre-Order NOW!:

Terms:

- 1) Customer agrees to pay \$20 _____ down to reserve ____ Picnic Table Kit(s),
- 2) Supplier agrees to manufacture and deliver
 - a) no later than:
- 3) NET due on delivery, customer agrees to pay the total product price of:
 - a) no more than \$____.____ + applicable taxes + shipping

mail, deliver or send your information by email to supplier.
 Payments accepted by check, e-transfer
 Suggested 10% deposit with pre-order

-----cut here

Intent to Purchase Form

Customer Name: _____	Supplier: Forge Thru Thyme _____
Phone: _____	Phone: 250 898 7317 _____
Shipping Address: _____	Address: 8630 Lory Rd. Black Creek, BC V9J 1B8 _____
_____	_____
email: _____	admin@forgethruthyme.com _____

Thank you for your Business.

See Reverse.